

## Veris Pulse Output kWh Transducer (Single CT) Connection Instructions

For use with HOBOb<sup>®</sup> H21, H22, U30, UX120, and RX3000 data loggers, and HOBOb ZW data nodes

### Applies to this Veris Pulse Output kWh Transducer:

Onset Part No.	Configuration / VAC	Output	Maximum Pulse Output	Veris Part No.
T-VER-8051-300	Single-phase 120-277 and (balanced) 3-phase 480	Pulses representing kWh	50 Hz	H8051-0300-2



Installing transducer in an energized electrical enclosure or on any energized conductor can result in severe injury or death. This transducer is for installation by qualified personnel only. To avoid electrical shock, do not perform any installation or servicing of this transducer unless you are qualified to do so. Disconnect and lock-out all power sources during installation and servicing. Please read transducer user's manual for instructions and use.

This document provides instructions on connecting the Veris Pulse Output kWh Transducer listed above to HOBOb H21, H22, U30, UX120, and RX3000 series data loggers and to HOBOb ZW series data nodes. **Note:** For information on connecting the transducer to the power source and other transducer details, refer to the documentation provided by Veris.

### Required

- Veris Pulse Output kWh Transducer listed above
- HOBOb H21, H22, U30, UX120, or RX3000 series data logger, or HOBOb data node (ZW series)
- Pulse input adapter, Onset Part No. S-UCC-M00x, for H21, H22, U30, and RX3000 series
- 22 AWG twisted pair wire (customer supplied) for UX120 series
- Adapter cable, Onset Part No. CABLE-2.5-STEREO, for ZW series
- HOBObware<sup>®</sup> software, version 2.2.1 or higher (2.4.0 or higher for U30 series; 3.2.0 or higher for UX120 series); HOBObware Pro 3.0 or higher for ZW series
- HOBOblink (for RX3000 series data loggers)



Veris Pulse Output kWh Transducer

### Configuring the System

See the following pages for the applicable connection diagram that corresponds to your electrical power configuration.

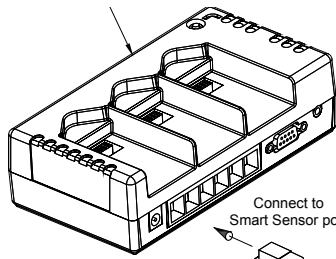
### Data Interpretation

The consumed energy in kilowatt-hours (kWh) per pulse is selected on the Veris transducer. The data recorded in the logger or data node will be number of counts (pulses) per logging interval. For conversion to other units, the data must be exported from the HOBObware software. **Note:** For complete information on using HOBObware, refer to the software documentation.

## Veris Pulse Output kWh Transducer (Single CT) Connection Instructions

### H21, H22, U30, and RX3000 Typical 120 or 240 VAC Single-Phase Three-Wire Connection

HOBO H21, H22, U30, or RX3000 Series Data Logger (H22-001 shown)



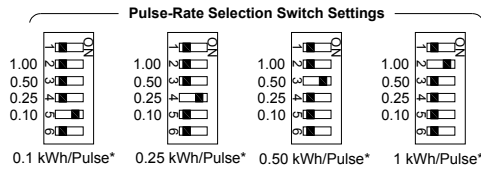
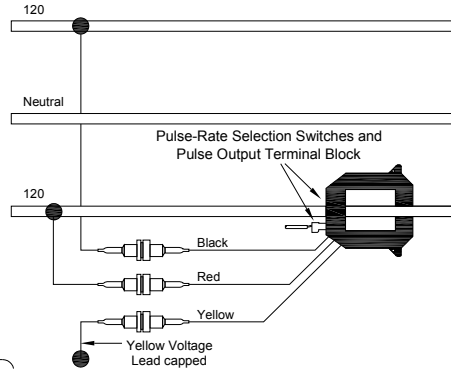
Pulse Output kWh Transducer (fuse pack not shown)

Connect white wire to (+) terminal on pulse output terminal block

S-UCC-M00x Pulse Input Adapter

Connect to Smart Sensor port

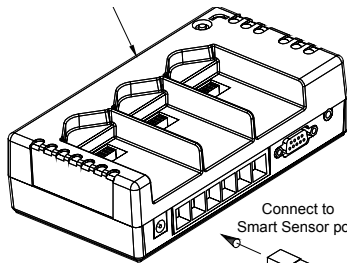
Connect black wire to (-) terminal on pulse output terminal block



\*Note: Multiply output pulse count by two for proper kWh indication.

### H21, H22, U30, and RX3000 Typical 277 VAC Single-Phase Two-Wire Connection

HOBO H21, H22, U30, or RX3000 Series Data Logger (H22-001 shown)



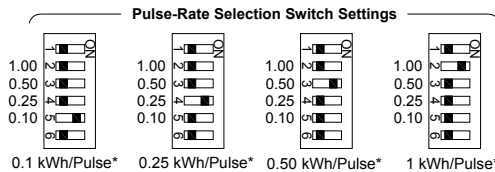
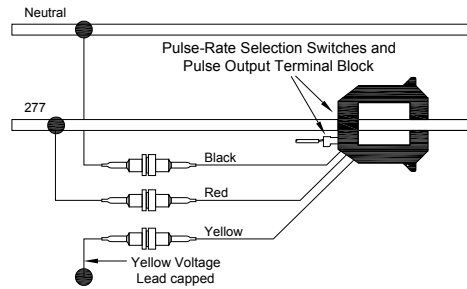
Pulse Output kWh Transducer (fuse pack not shown)

Connect white wire to (+) terminal on pulse output terminal block

S-UCC-M00x Pulse Input Adapter

Connect to Smart Sensor port

Connect black wire to (-) terminal on pulse output terminal block

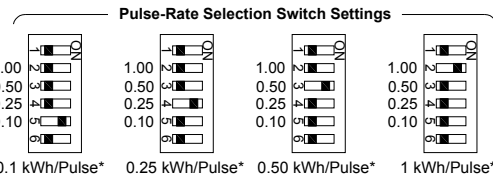
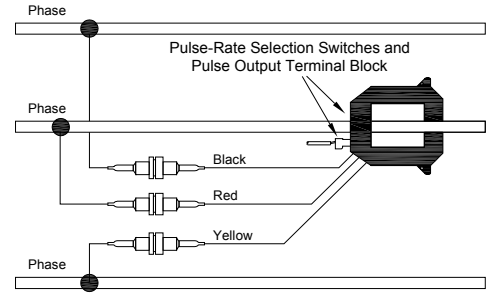
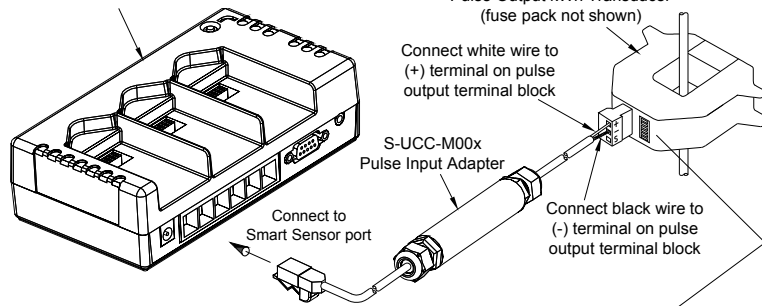


\*Note: Multiply output pulse count by two for proper kWh indication.

## Veris Pulse Output kWh Transducer (Single CT) Connection Instructions

### H21, H22, U30, and RX3000 Typical 208 or 480 VAC Three-Phase Three/Four-Wire Connection

HOBO H21, H22, U30, or RX3000 Series Data Logger (H22-001 shown)

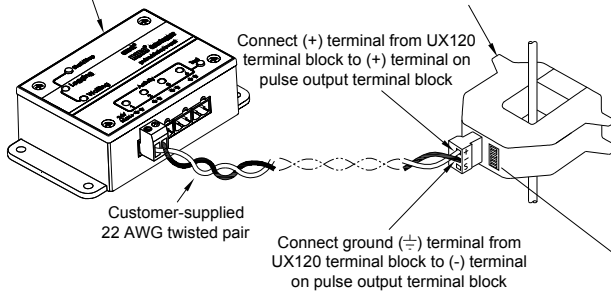


\*Note: When using single CT model (T-VER-8051-300) to monitor a **balanced** three-phase system, multiply output pulse count by three for proper kWh indication.

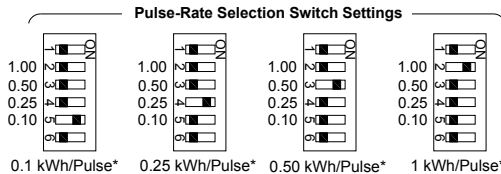
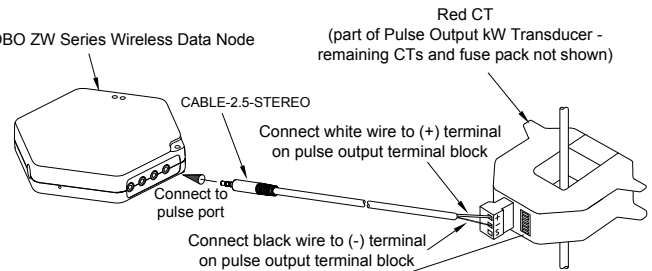
### UX120 and ZW Connection

(also refer to the appropriate CT wiring diagram in the H21/H22/U30/RX3000 connection section for your particular electrical power configuration)

HOB0 UX120 Series Data Logger



HOB0 ZW Series Wireless Data Node



\* Refer to asterisked note in the H21/H22/U30 connection section for your particular electrical power configuration